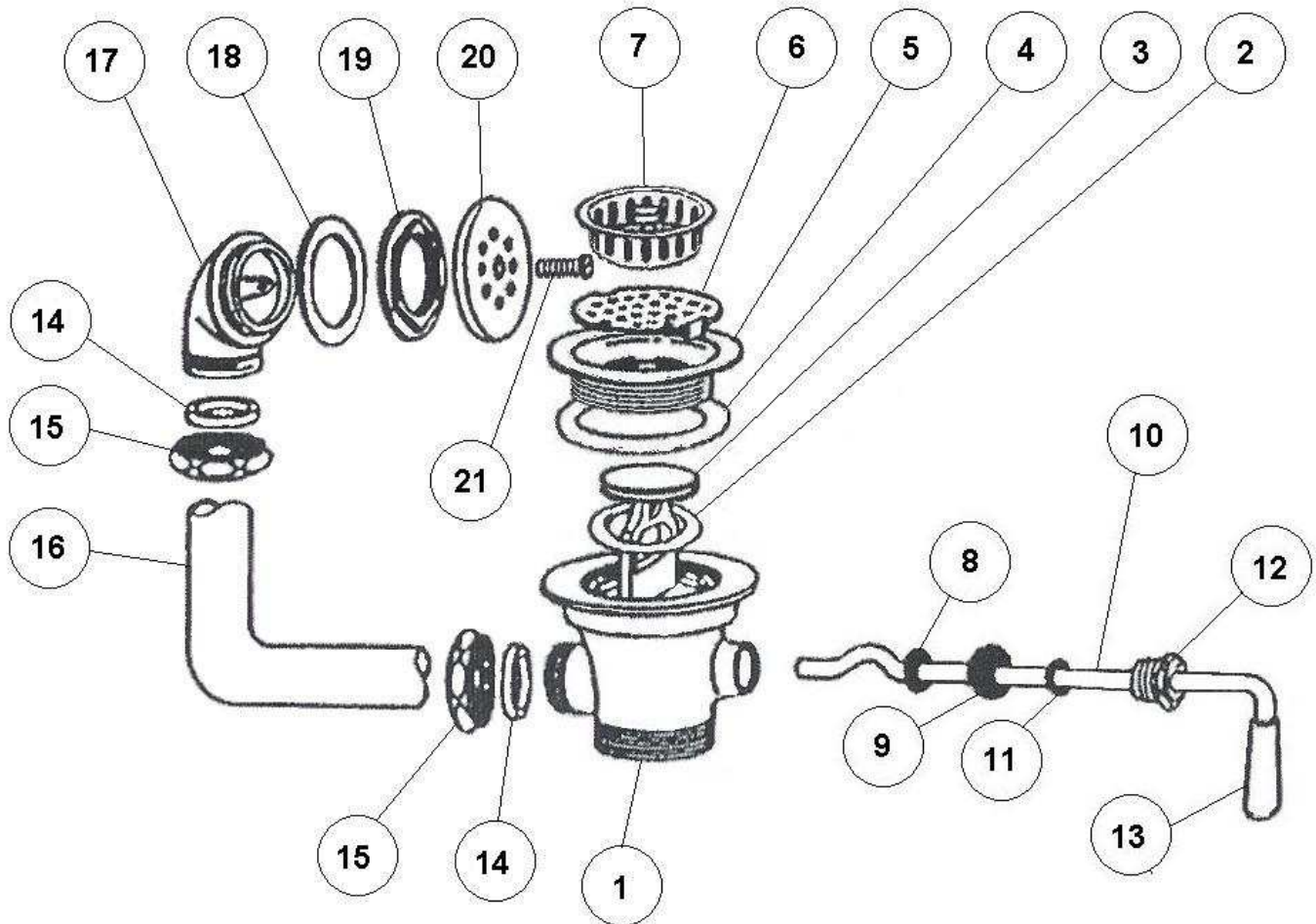


212-2095

Twist Handle Drain w/ Overflow



Part #	Description	Part #	Description
1	29759 1 ½" NPS Waste Outlet Body	12	29766 Packing Nut, Brass
2	100-343 Stopper O-ring, Neoprene	13	29767 Black Thermoplastic Knob
3	100.354 Stem Valve with O-ring	14	21600 Slip Joint Washer
4	100.341 Head Gasket	15	21601 Slip Joint Locknut
5	29761 Face Flange, Stainless Steel	16	29768 One Piece Overflow Elbow
6	100-352 Flat Strainer, Stainless Steel	17	21595 Overflow Head
7	22495 Crumb Cup/Strainer, Stainless Steel	18	29769 Gasket
8	29763 E-ring	19	29770 Flanged Locknut
9	29764 Washer	20	21486 Strainer, Stainless Steel, Overflow
10	100-342 Twist Handle Assembly	21	21487 Strainer Mounting Screw
11	29765 Rubber O-ring		