

METCRAFT 26983 SECURITY FAUCET INSTALLATION GUIDE

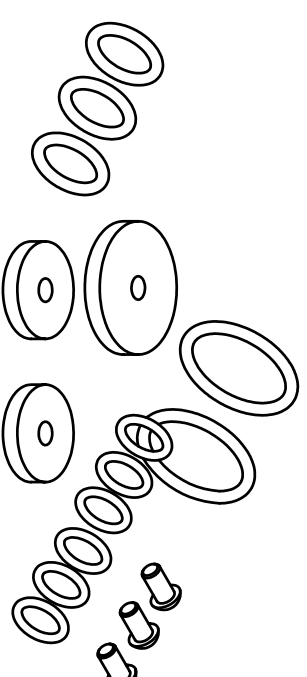
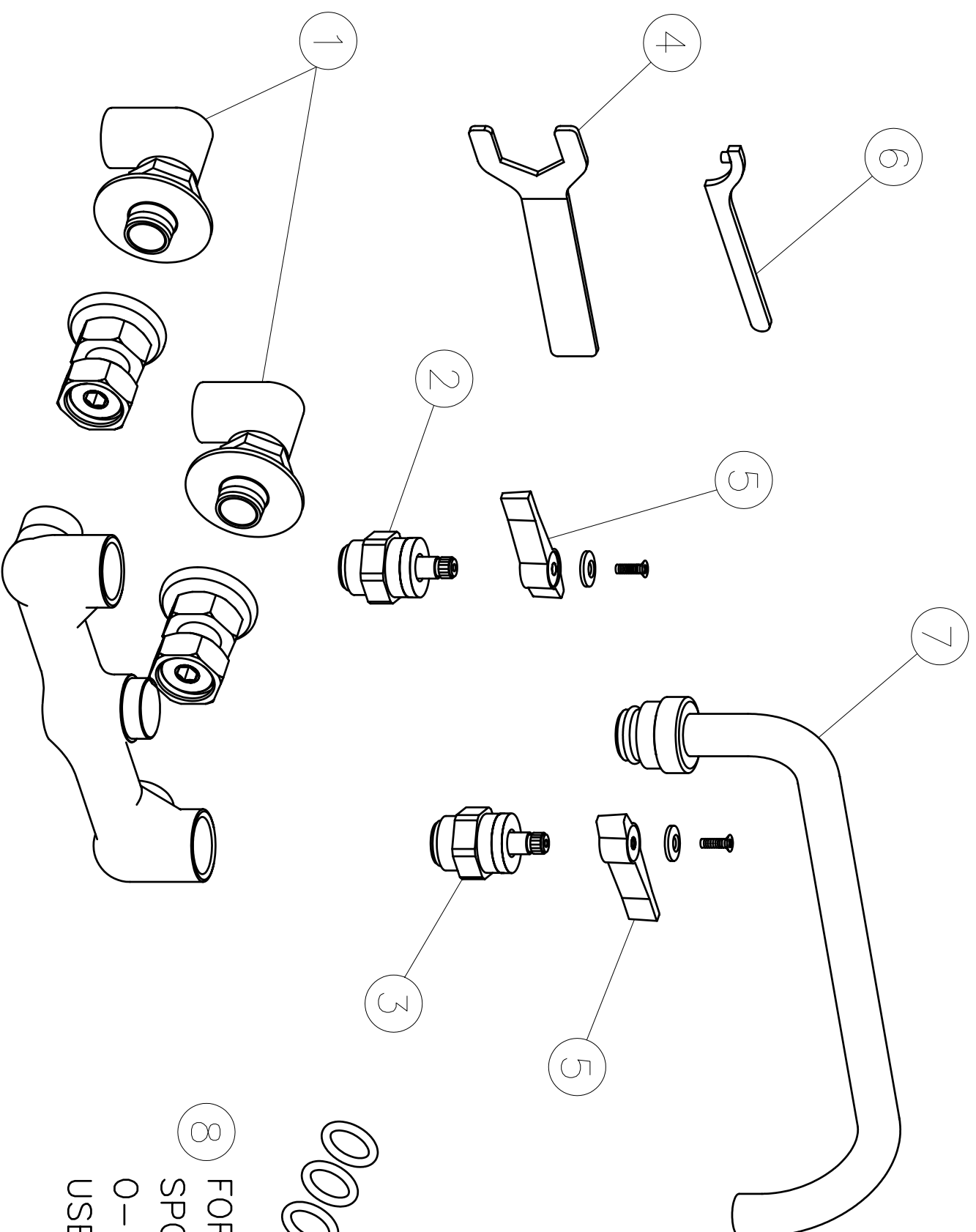
TO ORDER SERVICE PARTS
800-444-9624

METCRAFT, INC.
13910 KESSLER DRIVE
GRANDVIEW, MO 64030

FAX 816-761-0544
E-MAIL service@powersoak.com

26983

Item	Part Number	Description
1	29115	Mounting Kit
2	28212	Hot Valve Assembly
3	28211	Cold Valve Assembly
4	29111	1-3/8" Wrench
5	28227	Designer Handle Kit
6	29131	Spanner Wrench
7	28214	14" Spout w/ Spanner Wrench, 29131
8	28210	O-Ring & Seat Washer Replacement Kit



8 FOR REPLACEMENT OF
SPOUT AND VALVE
O-RINGS AND SEAT WASHERS
USE KIT No. 28210