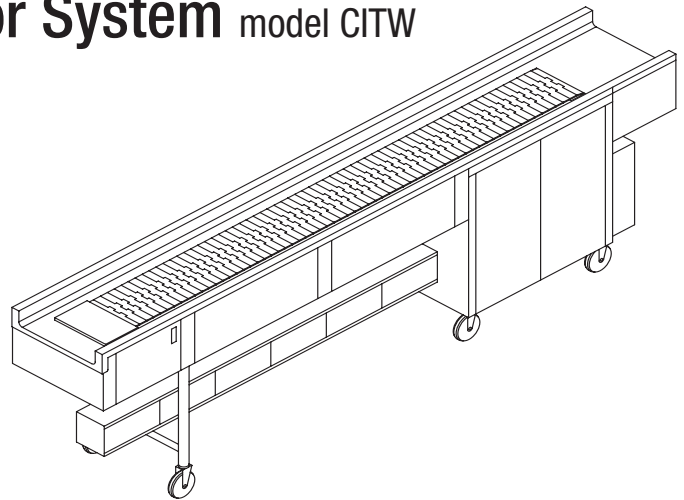


Conveyors Slat Belt Conveyor System model CITW

Description:

The AVTEC Model CITW is a tray assembly conveyor utilizing an interlocking style plastic slat connected by stainless steel pins to move trays through a tray assembly system. Belt is returned in self-cleaning slider pan for easy cleaning and maintenance. The model CITW is used for straight applications only. Unit is provided with or without an automatic detergent injection wash system.



Specifications:

Provide AVTEC NSF Approved tray make-up conveyor system, Model CITW. Unit shall be the size and shape as shown in project drawings. Top and slide bed shall be constructed of 14 gauge 300 series stainless steel with #4 mill finish. Drive housing shall be of uni-body construction, completely constructed of 300 series stainless steel. Legs shall be 1 5/8" diameter stainless steel with 1 1/2" diameter welded cross members for support. Drive motor to be stainless steel (1/2)(3/4) hp, 208/3 and shall be water resistant. Unit is to include wash housing with strategically designed spray jets for cleaning of both sides of belt. Belt returns on self-cleaning return track system. Detergent designed to drip on belt for maximum exposure to cleaning action. Wash housing is designed with large access panels for inspection of wash chamber and comes complete with stainless steel latches to seal openings and removable scrap basket for waste. Housing is to be provided with door safety shut-off switch. Belt is to be interlocking style gray plastic on continuous length UHMW tracks, driven by a UHMW sprocket mounted on stainless steel bearings and shafts utilizing slip collar in lieu of keyways. Tail section includes auto-tensioning device to keep constant equal tension on the belt. Motor control panel to be designed with main service disconnect switch, variable speed controls and of sealed water-tight construction. Conveyor is designed to include a photo electric accumulation switch at terminal end of unit to shut down system when conveyor is full.

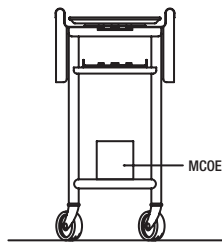
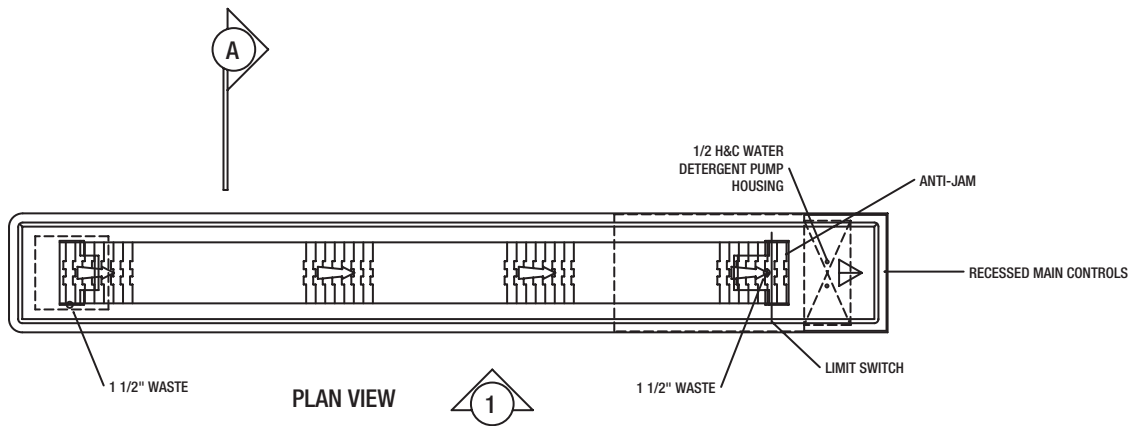
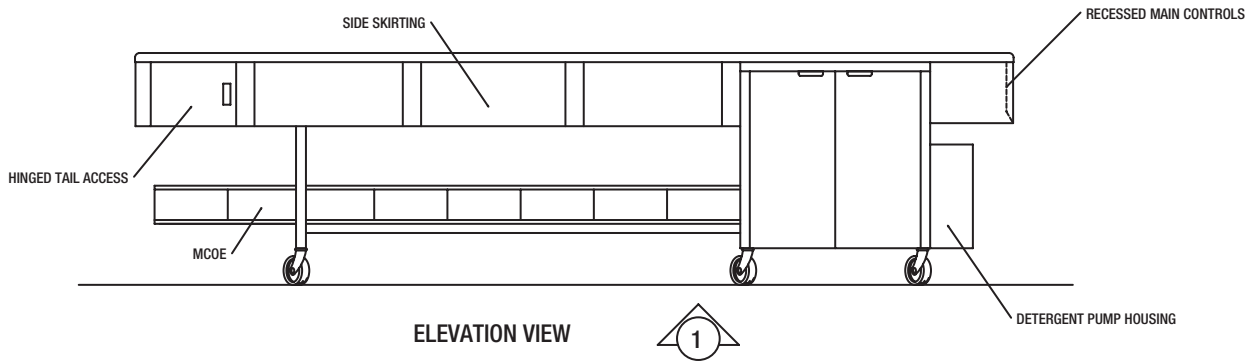
Standard Features:

- S/S drive housing
- Door conveyor shut off safety switch(s)
- Removable scrap basket in drive and tail housings
- Access panel for wash housing
- 1 1/2" Drain in drive
- S/S drive motor
- Anti-jam safety switch at drive opening
- Detergent pump housing
- Belt wash, with auto wash option (PLC programmed timer for optimal cleanness and performance)
- Main control panel with start/stop, wash selector, belt speed, limit switch, main disconnect
- Limit switch
- Auto belt tensioner
- 1 5/8" S/S legs with 1 1/2" S/S crossmembers
- Work surface: 14 ga S/S construction, fully welded and polished.
- 1/2 HP S/S drive motor
- Interlocking belt slats, gray
- UHMW drive sprockets
- Self cleaning top and return tracks
- Lifetime drive bearings
- Tail cover

Optional Accessories:

- Additional start/stop box(s)
- Post mounted tubular overshef
- Starter station
- Hinged tail access door
- Modular energy distribution system
- Momentary run foot switch
- Side skirting:
 - Hinged
 - Removeable

Front, Top & Side Views



SECTION VIEW A

