



CAPKOLD® COOK-CHILL SYSTEMS

NON TILT-OUT AGITATOR GAS TILTING KETTLE MODEL DH/INA/2

CapKold® Model DH/INA/2-100 gallon working capacity, self-contained, high efficiency 360,000 BTU/hr gas fired, steam jacketed kettle, with heavy duty pinned inclined agitator. Electrically driven worm gear tilts kettle body to simplify product loading, kettle cleaning and transfer of non-pumpable products. Agitator assembly tilts with the kettle body. 50 PSI maximum jacket operating pressure, 3" air operated drop down outlet valve and variable speed agitator drive.

PROJECT NAME:

LOCATION:

ITEM NO:

QTY:

MODEL NO:

AIA NO:

SIS NO:

CONSTRUCTION

- 50 PSI, ASME Code hemispheric bottom kettle jacket construction and National Board registered
- C.S.A. Design Certified and NSF listed
- High efficiency fin tube gas heat exchanger with 360,000 BTU/hr maximum power input
- Reinforced bar rim and flow control pouring lip
- Electrically driven worm gear tilt of kettle body and agitator assembly for pouring and cleaning
- Electronic ignition
- 3" air operated drop down stainless steel outlet valve mounted flush to kettle bottom
- Type 316 stainless steel kettle interior and all wetted parts, type 304 elsewhere
- 3/4" rim mounted water fill faucet
- Compressed air connection for CapKold® Pump/Fill Station (see CKPF/3)
- 100 gallon working capacity
- NSF listed

AGITATOR DESIGN:

- Heavy duty pinned, inclined entry style agitator located 45° to left of center line
- 2 horsepower variable speed agitator drive with precise control from 4-36 RPM
- Agitator assembly tilts with kettle body

INTEGRAL CONTROL PACKAGE:



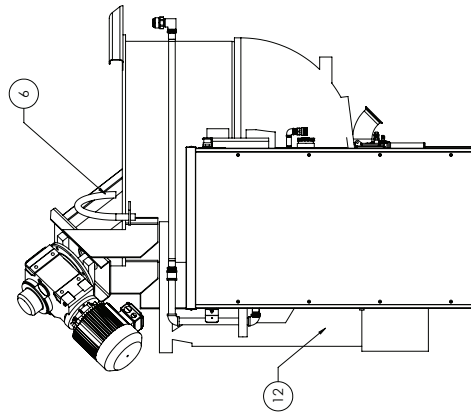
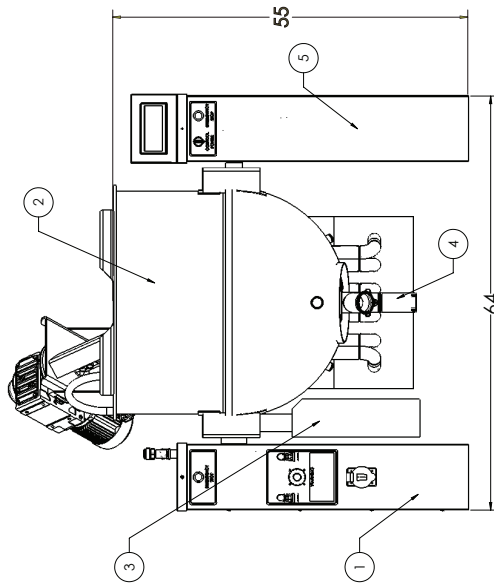
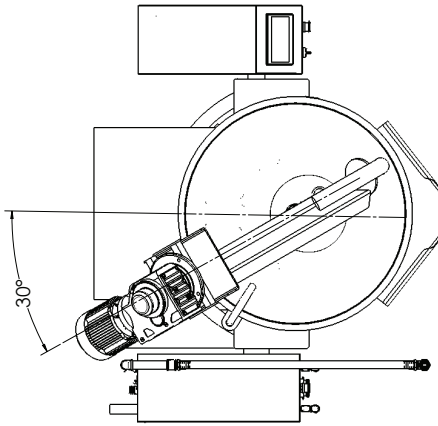
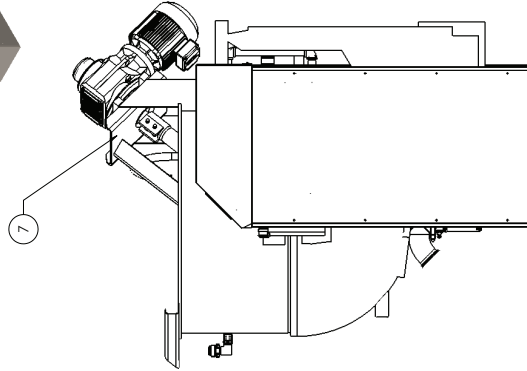
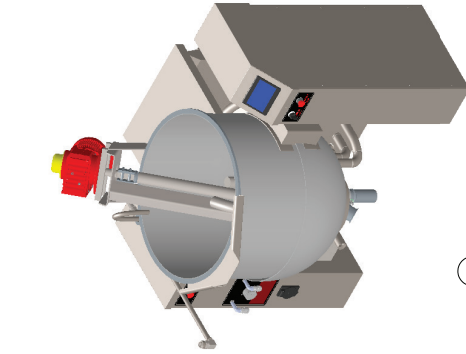
- Digital product temperature indicator/controller
- Pilot light indicator
- Dual safety agitator start switches
- Variable speed agitator control
- Emergency agitator stop button
- Power ON indicator light
- Kettle body tilt switch and indicator
- Low water (kettle jacket) indicator light
- Pre-set automatic water metering
- Agitator jog button (partial rotation at 4 RPM)

ORIGIN OF MANUFACTURE: Designed and manufactured in the United States.



OPTIONS/ACCESSORIES:

- Product temperature chart recorder
- 2 piece hinged cover
- Removable pouring lip mounted product strainer
- Prison package
- Lip Strainer



ITEM NO.	QTY.	PART NO.	DESCRIPTION
1	1	176025	LEFT STANCHION ASSEMBLY, DH/INA/2-100
2	1	176026	RIGHT STANCHION ASSEMBLY, DH/INA/2-100
3	1	172378	GAS VALVE PIPING, PRESSURE GAUGE AND BOX, ASM., NAT. GAS
4	1	154387	DROP DOWN VALVE ASSY.
5	1	176023	RIGHT STANCHION ASSEMBLY, POWER TILT W/AGITATOR, 208/240
6	1	115247	FALUCET BRACKET AND SPOUT ASSY.
7	1	176028	AGITATOR ASM., DH/INA-2-100, 208/240
8	1	145148	BURNER ASM., LOCHER, NAT. GAS (NOT SHOWN)
9	1	145149	BURNER ASM., LOCHER, NAT. GAS (NOT SHOWN)
10	1	172394	KETTLE HARDWARE ASM. (NOT SHOWN)
11	1	172395	LABEL ASM., DH-400L (NOT SHOWN)
12	1	145665	FUEL STACK AND COMBUSTION ASSEMBLY
13	1	172477	SCHEMATIC, ELECTRICAL (NOT SHOWN)
14	1	172485	MANUAL, OPERATOR (NOT SHOWN)
15	1	1452071	WRENCH, SPANNER (NOT SHOWN)

NOTES:

- PARTS TO BE FREE OF BURRS AND SHARP EDGES.
- PARTS TO BE FREE OF SCRATCHES, NICKS, AND ANY OTHER DEFECTS.
- ALL WELD MARKS MUST BE CLEANED AND OR BLENDED INTO SURFACE.
- VERIFY TO PACK PARTS AS TO ENSURE NO DAMAGE TO PARTS.