



CAPKOLD® COOK-CHILL SYSTEMS

PASTA COOK KETTLE ACCESSORIES MODEL CKPB/D

CapKold® stainless steel cone bottom cook basket with latching slide dump gate, designed to facilitate the bulk cooking of pasta and other products into the CapKold® Model N Series Pasta Kettle. CapKold® Model CKCBD-_____ (Specify for 50,100, 150 or 200 gallon kettle) stainless steel staging, loading and transfer dolly.

PROJECT NAME:

LOCATION:

ITEM NO:

QTY:

MODEL NO:

AIA NO:

SIS NO:

AVAILABLE MODELS:

- CKPB (Pasta Basket)
- CKPBD (Pasta Basket Dolly)

CONSTRUCTION:

BASKET

- Type 316 stainless steel construction with 3/32" perforated upper cylinder and cone bottom mesh
- Four heavy duty support lugs rest on kettle rim and protect kettle cook surface from contact and wear
- Heavy bar rim maintains round shape of basket
- Hand actuated latching bottom slide dump gate provides 12" diameter opening for rapid and complete product unloading
- Heavy duty lifting bar with yoke simplifies hoist connection and centering of load

DOLLY

- Type 304 heavy 2" tubular stainless steel construction
- Support ring height accepts basket loading lugs and maintains basket off floor and at convenient work height for loading and cleaning
- Three 4" diameter heavy duty swivel casters allow easy movement of empty basket/dolly over most floor surfaces

NOTES:

- A minimum 1 ton electric or manually operated hoist and rail system must be provided for safe and easy kettle loading. See CKH Hoist and Rail System Spec. Sheet
- Use of Basket Dolly (See below) recommended for sanitation, safe floor movement, staging and convenient storage when not in use

ORIGIN OF MANUFACTURE: Designed and manufactured in the United States.

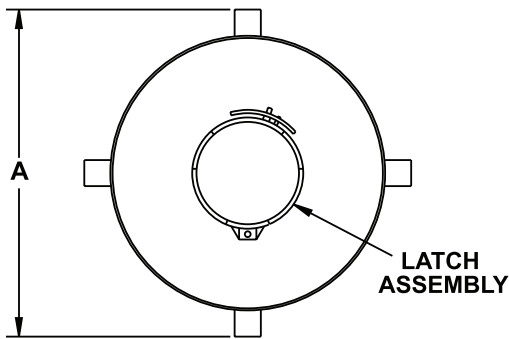
CKPBD Pasta Kettle Accessories



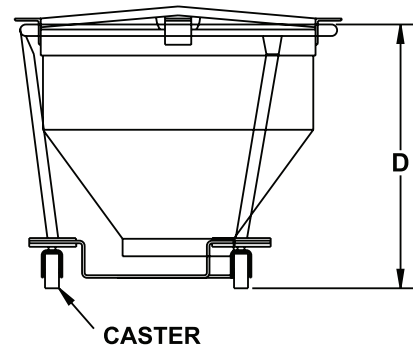
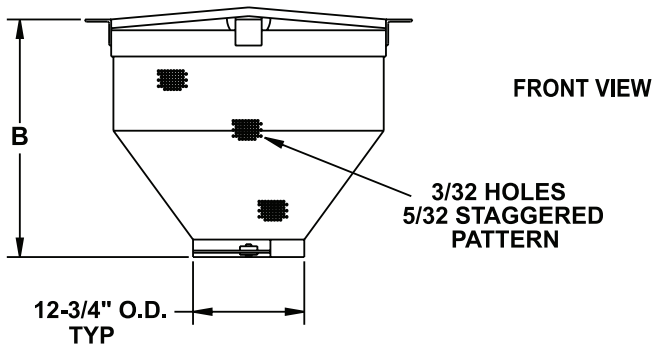
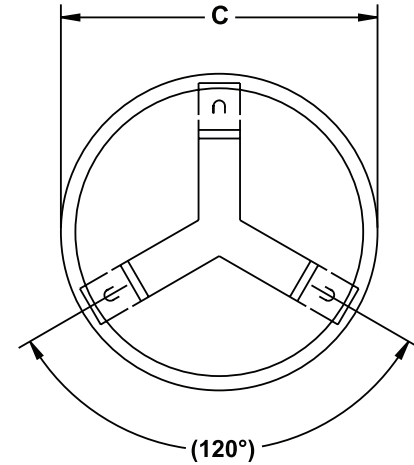


160589 REV A

**CKPB
PASTA COOK BASKET**



**CKPBD
TRANSPORT DOLLY**



MODEL	A	B	MODEL	C	D
CKPB - 50	33-3/4"	19	CKPD - 50	34"	34"
CKPB - 100	39-3/4"	28"	CKPD - 100	40"	36-1/2"
CKPB - 150	45-3/4"	30"	CKPD - 150	46"	39"
CKPB - 200	52-1/2"	32"	CKPD - 200	52"	40-1/2"